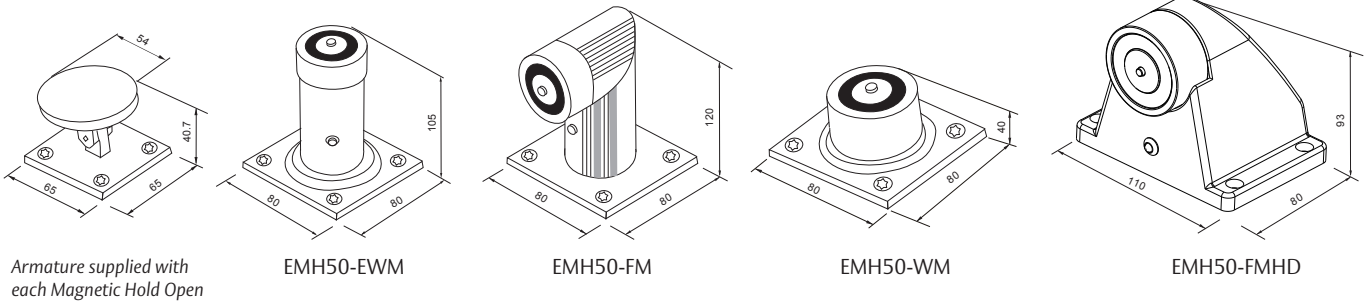


Lockwood Magnetic Hold Open

The Lockwood Magnetic Hold Open is a fail safe device that can work as standalone or with an integrated fire system, suitable for use on fire doors.

Four different models available, including a heavy duty floor mount.



PRODUCT FEATURES & BENEFITS

- 12/24VDC Selectable
- Compliant holding force of 23kg
- Emergency release button onboard
- Low power consumption
- Fail safe mechanism
- Silent operation

PART NUMBER	DESCRIPTION				
EMH50-FM	Floor Mounted Hold Open				
EMH50-WM	Wall Mounted Hold Open				
EMH50-EWM	Extended Wall Mounted Hold Open				
EMH50-FMHD	Floor Mounted Heavy Duty Hold Open				

SUPPORT MATERIAL AND TIMINGS

- Bulletin to customers 21 September
- Online catalogue 21 September
- Available to order from 28 September